



**Electrolux**  
PROFESSIONAL

**Flexy Compact**  
**Corner unit (90 degrees) with one**  
**stainless steel tubular tray slider on**  
**customer side, H=900mm**

ITEM # \_\_\_\_\_

MODEL # \_\_\_\_\_

NAME # \_\_\_\_\_

SIS # \_\_\_\_\_

AIA # \_\_\_\_\_



322112 (F31N0AF00W)

Corner Unit (90 degrees)  
with one stainless steel  
tubular tray slider on  
customer side, H=900mm

### Short Form Specification

Item No. \_\_\_\_\_

Compact design, ideal for space saving environments. Stainless steel tubular tray slider on customer side. Unit mounted on 150 mm high feet. Sturdy body construction with laminated panelings. 900mm worktop height. Designed to allow 2 units to be connected in a corner configuration. Enables the direction of the servery line to be changed depending on needs and the configuration of the location.

### Main Features

- CB and CE certified by a third party notified body.
- Tray slider in tubular stainless steel is installed on the customer side and it can also be folded down to facilitate passage of the units through doorways.
- Ideal for servery lines with an operator.
- Unit mounted on 150 mm high feet.
- Available options with online configurator: colors, tray sliders, overshelves, feet/wheels with desired diameter, height 750mm for kids.
- Optional plinth can be installed to cover the feet or the wheels.
- Designed to allow 2 units to be connected in a corner configuration.
- Perfect compact design makes it ideal for space saving environments.
- Enables the direction of the servery line to be changed depending on needs and the configuration of the location.
- Food introduced at the correct temperature maintains its core temperature according to Afnor Standards.

### Construction

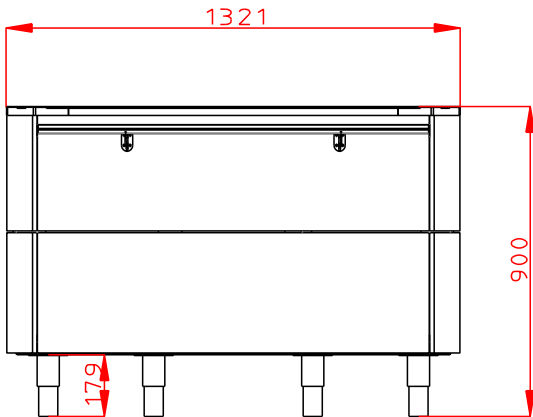
- Top in AISI 304.
- Sturdy construction with laminated panelings on 4 sides.

APPROVAL: \_\_\_\_\_

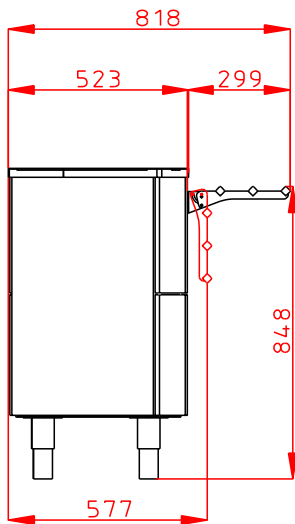


Experience the Excellence  
[www.electroluxprofessional.com](http://www.electroluxprofessional.com)

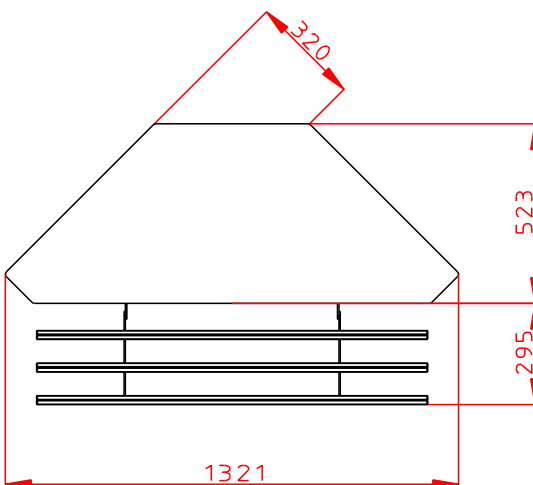
Front



Side



Top


**Key Information:**

N° of doors:	1
322112 (F31N0AF00W)	
External dimensions, Width:	1320 mm
External dimensions, Depth:	820 mm
External dimensions, Height:	900 mm
Net weight:	60 kg
Shipping height:	930 mm
Shipping width:	610 mm
Shipping depth:	1440 mm
Shipping volume:	0.82 m <sup>3</sup>
Height adjustment:	-20/40 mm